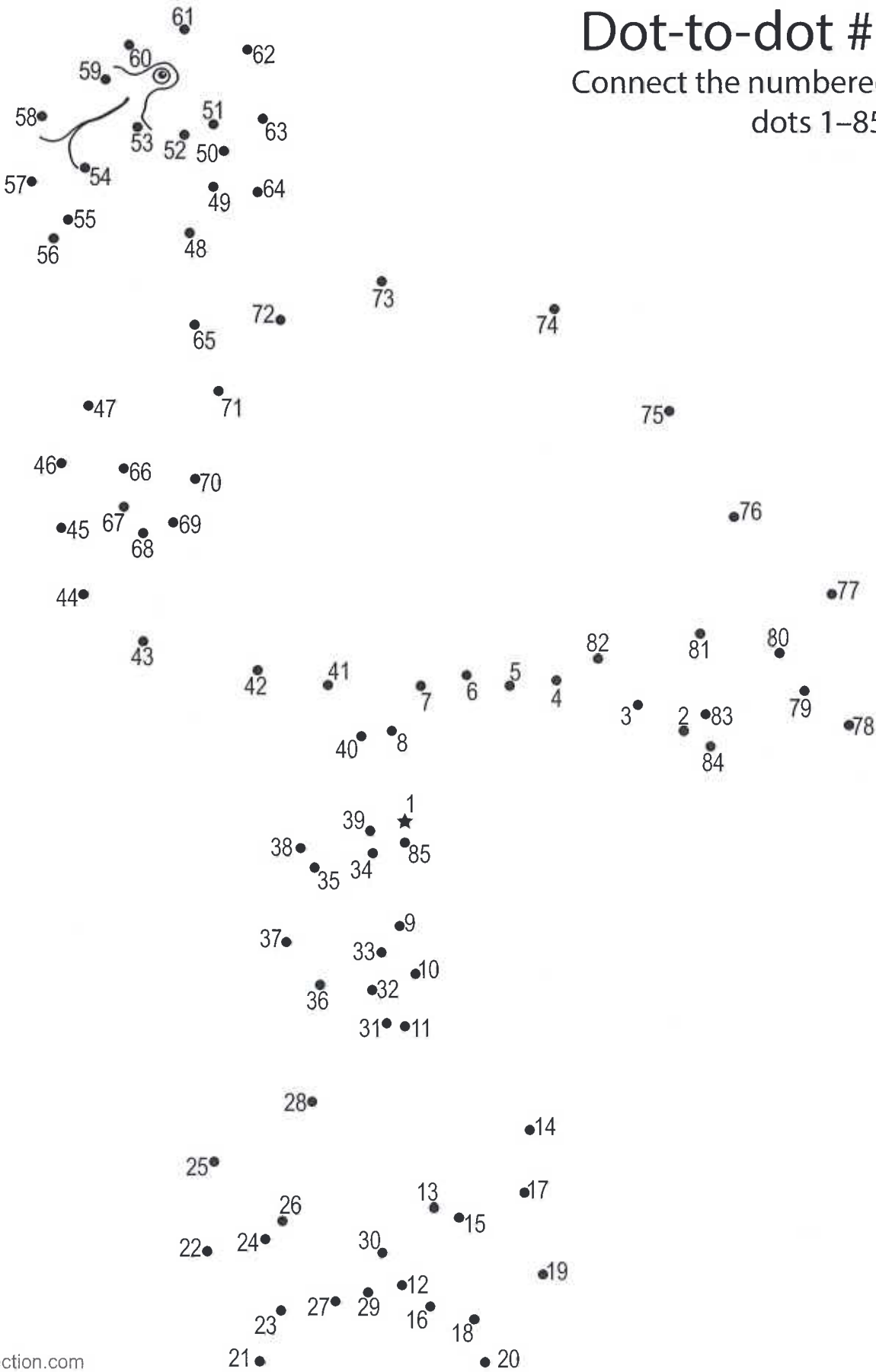


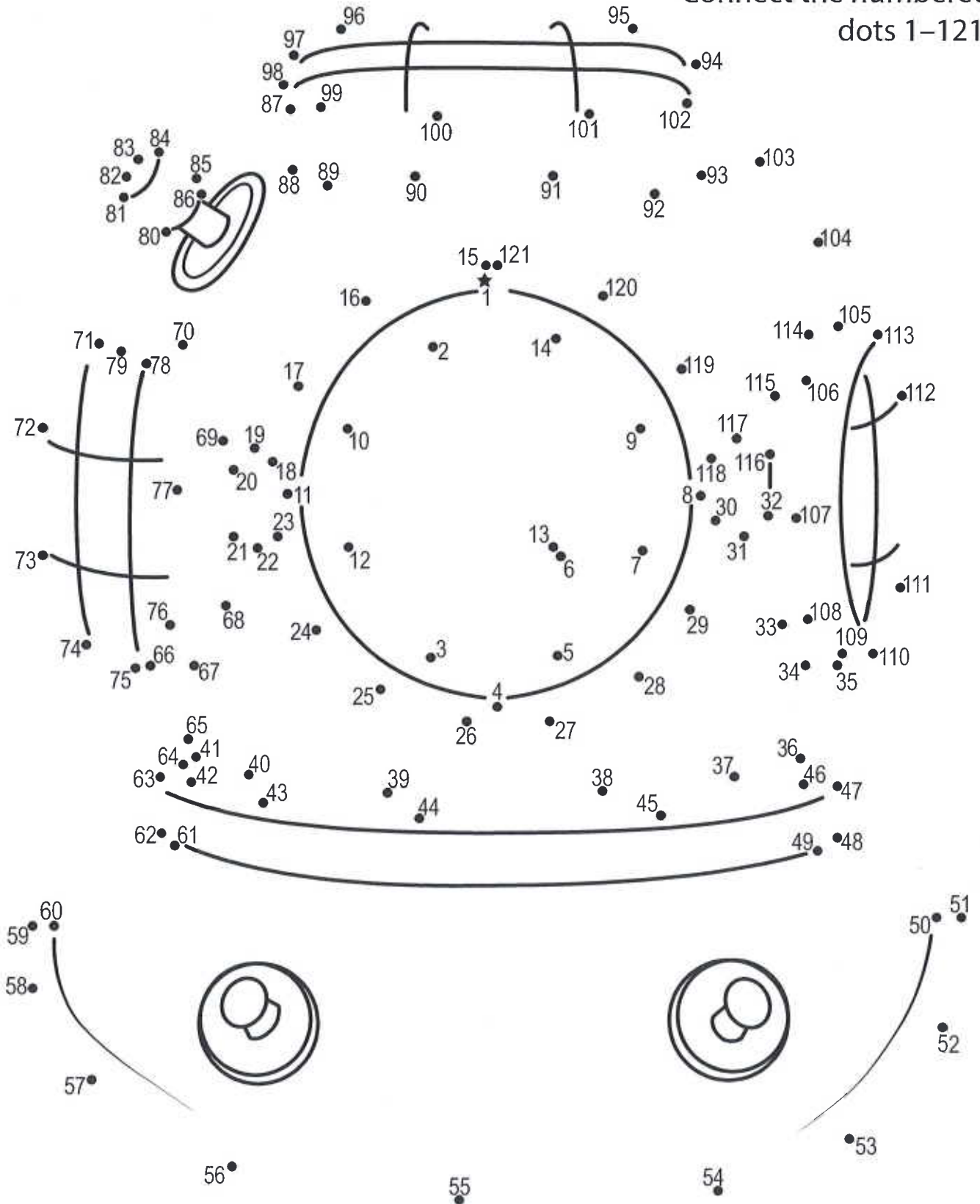
# Dot-to-dot #1

Connect the numbered dots 1-85.



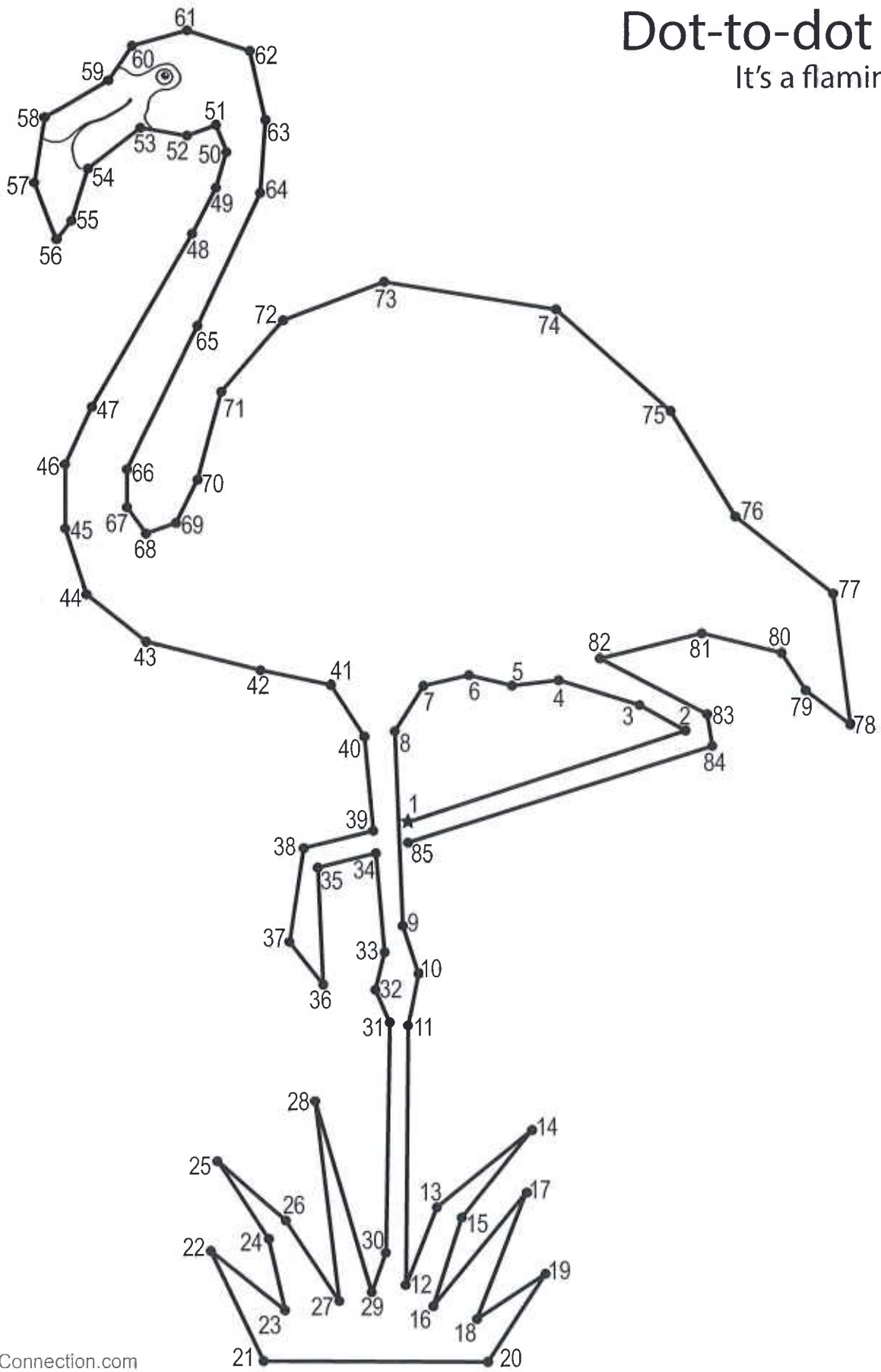
# Dot-to-dot #2

Connect the numbered dots 1-121.



# Dot-to-dot #1

It's a flamingo.



# Dot-to-dot #2

It's a vintage diving helmet.

