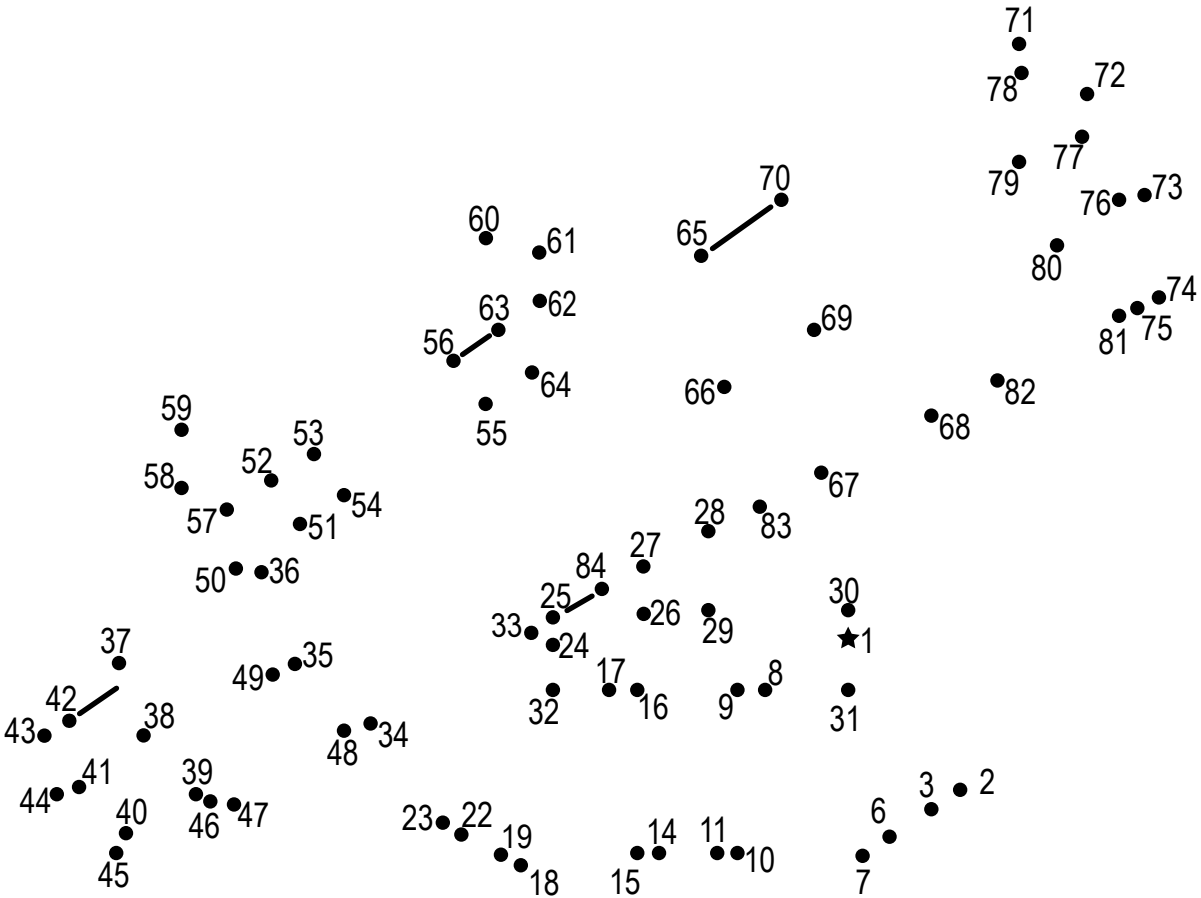


Dot-to-dot #1

Connect the dots 1-84.



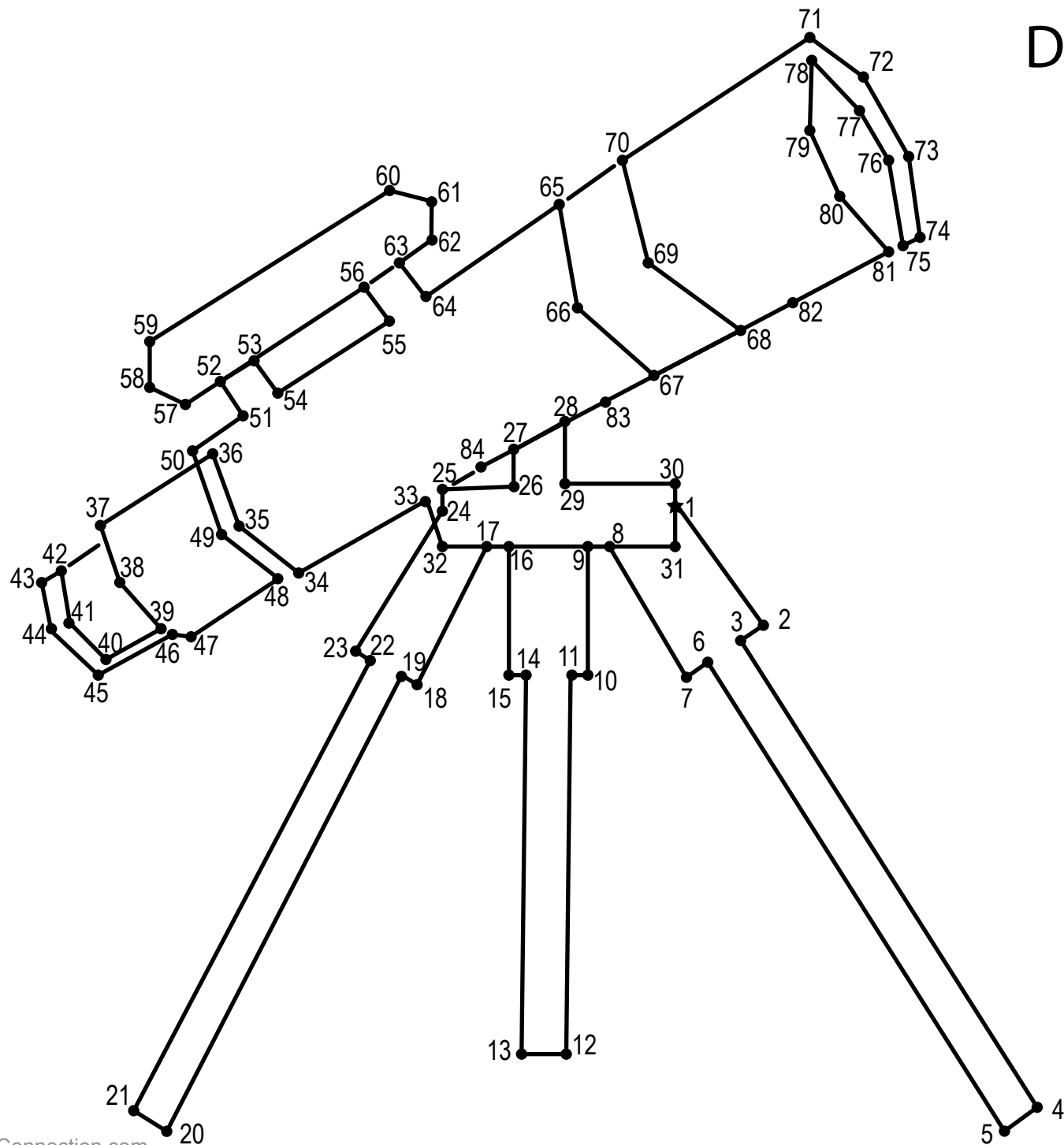
21 ● ● 20

13 ● ● 12

5 ● ● 4

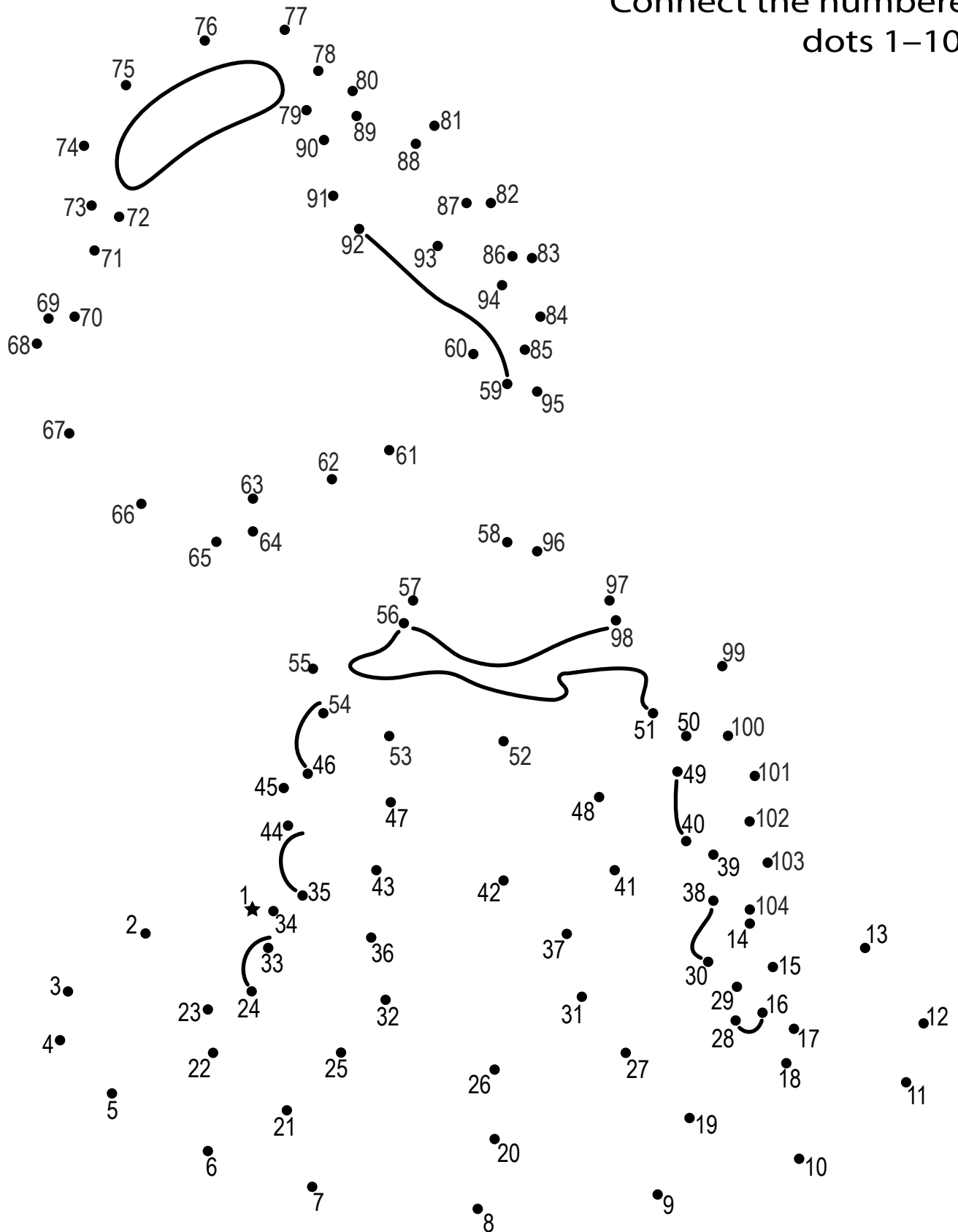
Dot-to-dot #1

It's a telescope.



Dot-to-dot #2

Connect the numbered dots 1–104.



Dot-to-dot #2

It's maple syrup pouring on a plate of pancakes.

